

## Pop-up waste and overflow with electronic control - Stainless Steel

---

10 410 003



- 3/2" electronic drain valve (TouchFlow)
- button integrated in overflow
- concealed overflow
- strainer insert

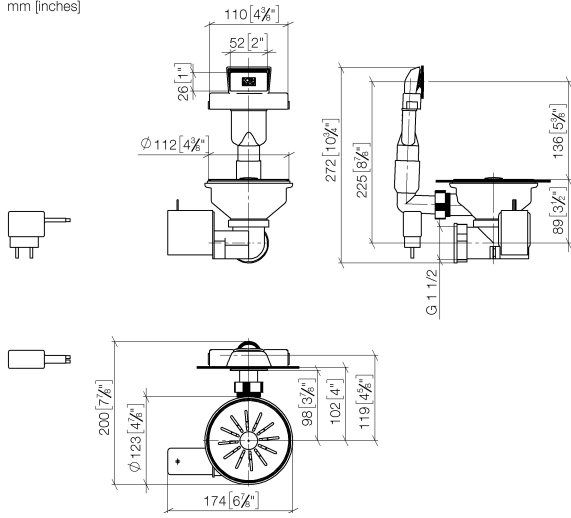
Only suitable for combining with polished high-grade steel kitchen sinks.

Socket adapter required for 2-pin EU to 3-pin UK plug

**Pop-up waste and overflow with electronic control - Stainless Steel**

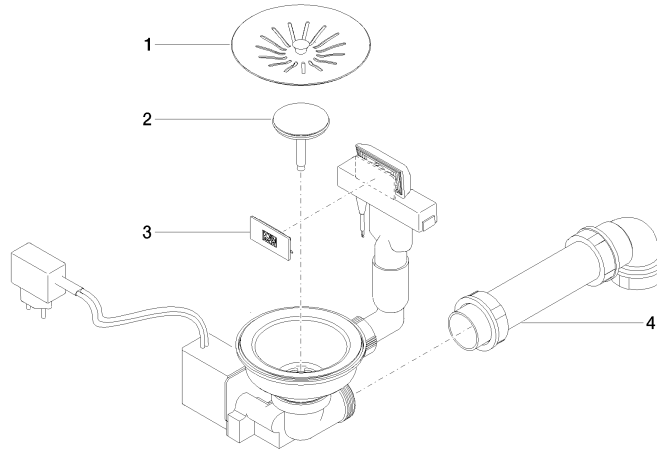
10 410 003

mm [inches]



Pop-up waste and overflow with electronic control - Stainless Steel

10 410 003



Spare parts list

No.	Item Number	Name	Quantity used	Delivery time
1	90 11 01 201 06-85	cover	1	60
2	90 11 01 201 01 90	plug	1	60
3	90 11 01 202 00-85	cover	1	60
4	90 11 01 201 02 90	pipng	1	60